

ETH zürich

TU Delft

UNIVERSITÄT **BONN**



UNIVERSITY
OF TWENTE.



KAROLINSKA
UNIVERSITETSSJUKHUSET

USZ Universitäts
Spital Zürich

ABB

UDMIRU
LIVING ROBOTICS



Harmony

Assistive robots for healthcare

Robotic Hospital Helpers Fiction, Present, and Future?

The Hospital of the Future

08.02.2023

Lionel Ott



This project has received funding from
the European Union's Horizon 2020
research and innovation programme
under grant agreement No 101017008

Fiction

- High-tech “beds”
- Doctor inside the machine
- Lots of screens



Harmony

Assistive robots for healthcare

Present

- Specialized devices
- Tools for doctors
- Warehouse and logistic systems



Intuitive DaVinci



Transentrix



Aeothon Tug



Robotnik



Harmony

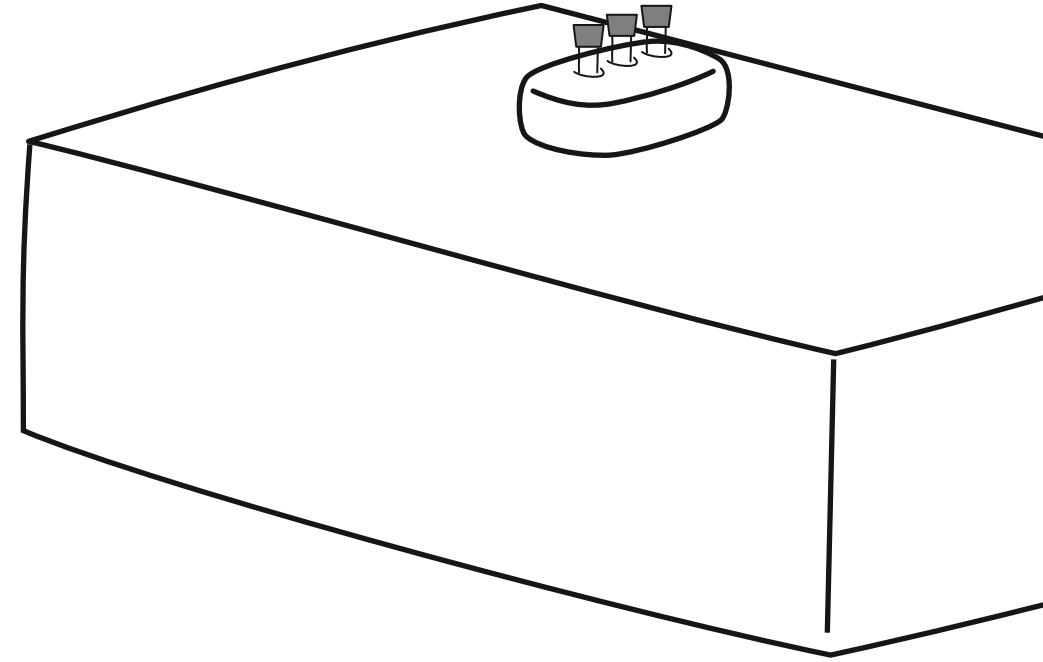
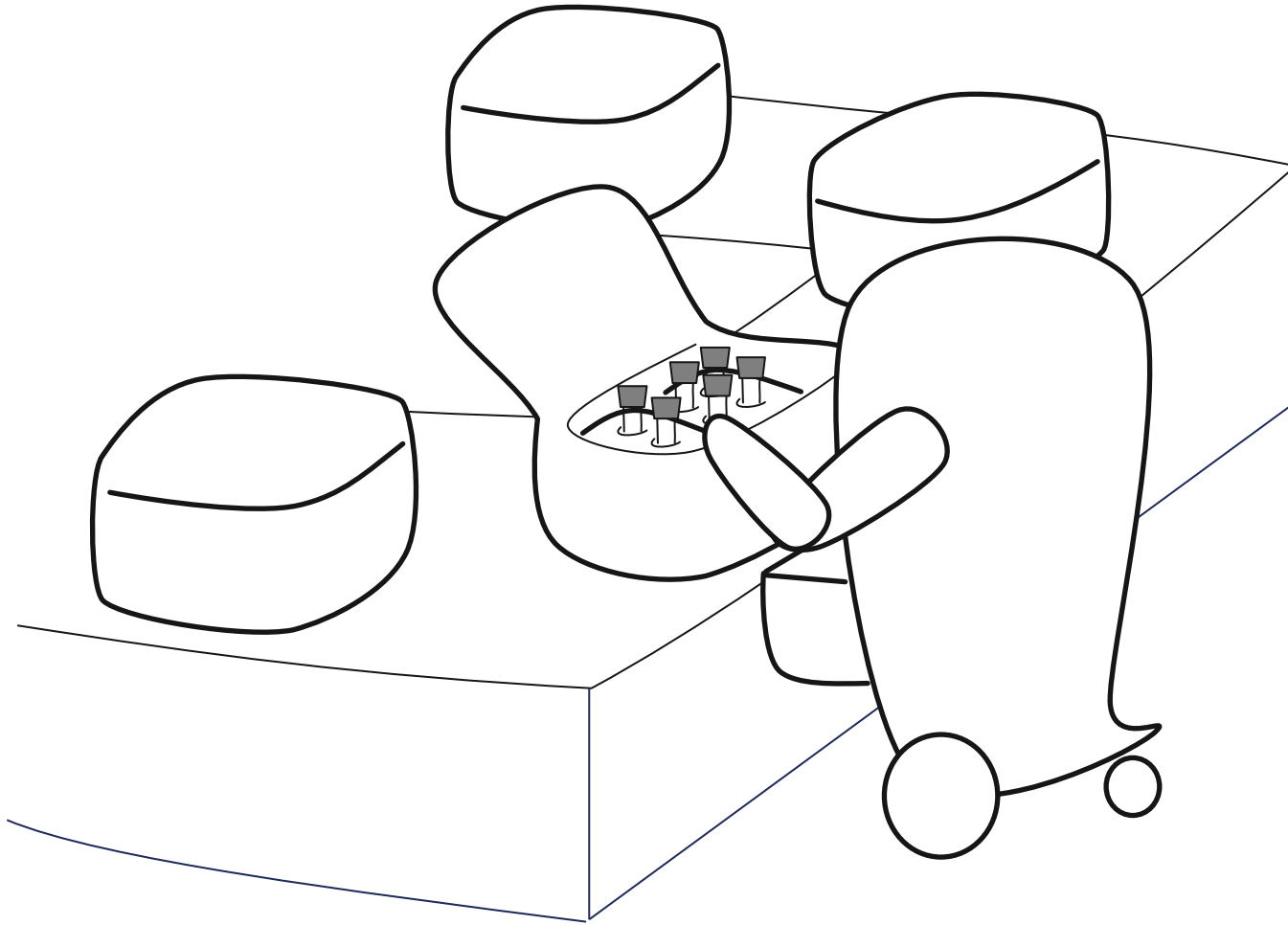
Assistive robots for healthcare

Harmony

- Mobile manipulation for healthcare
- Automate dull tasks
 - On-demand delivery
 - Bioassay sample processing
- Free up human resources
- Partners
 - Universities
 - Industrial partners
 - End-users



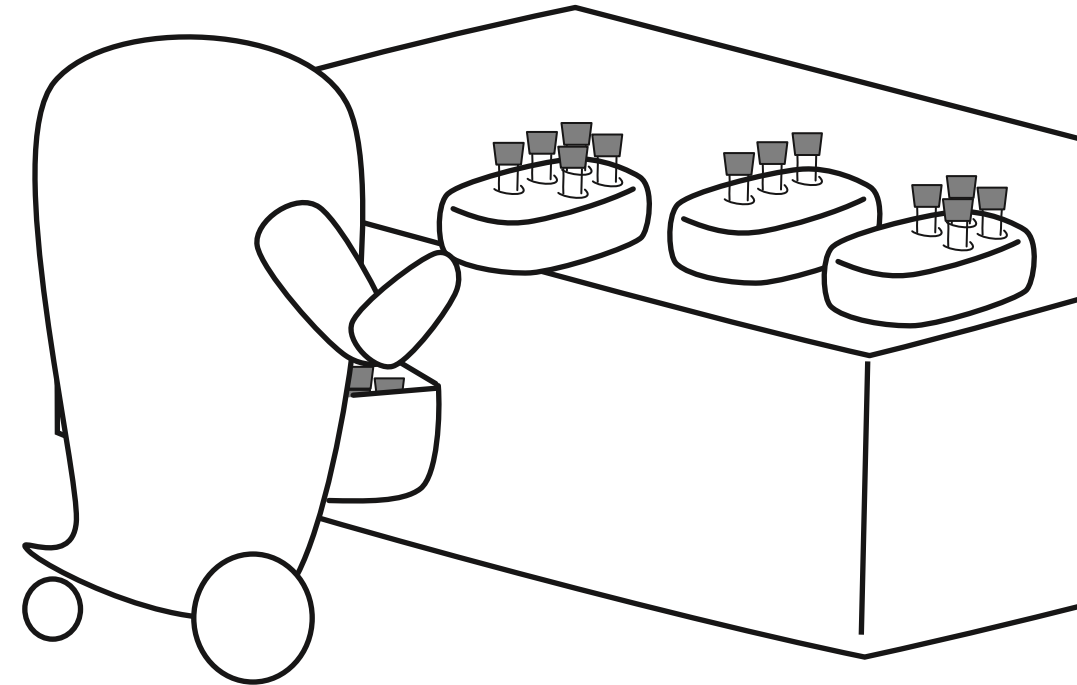
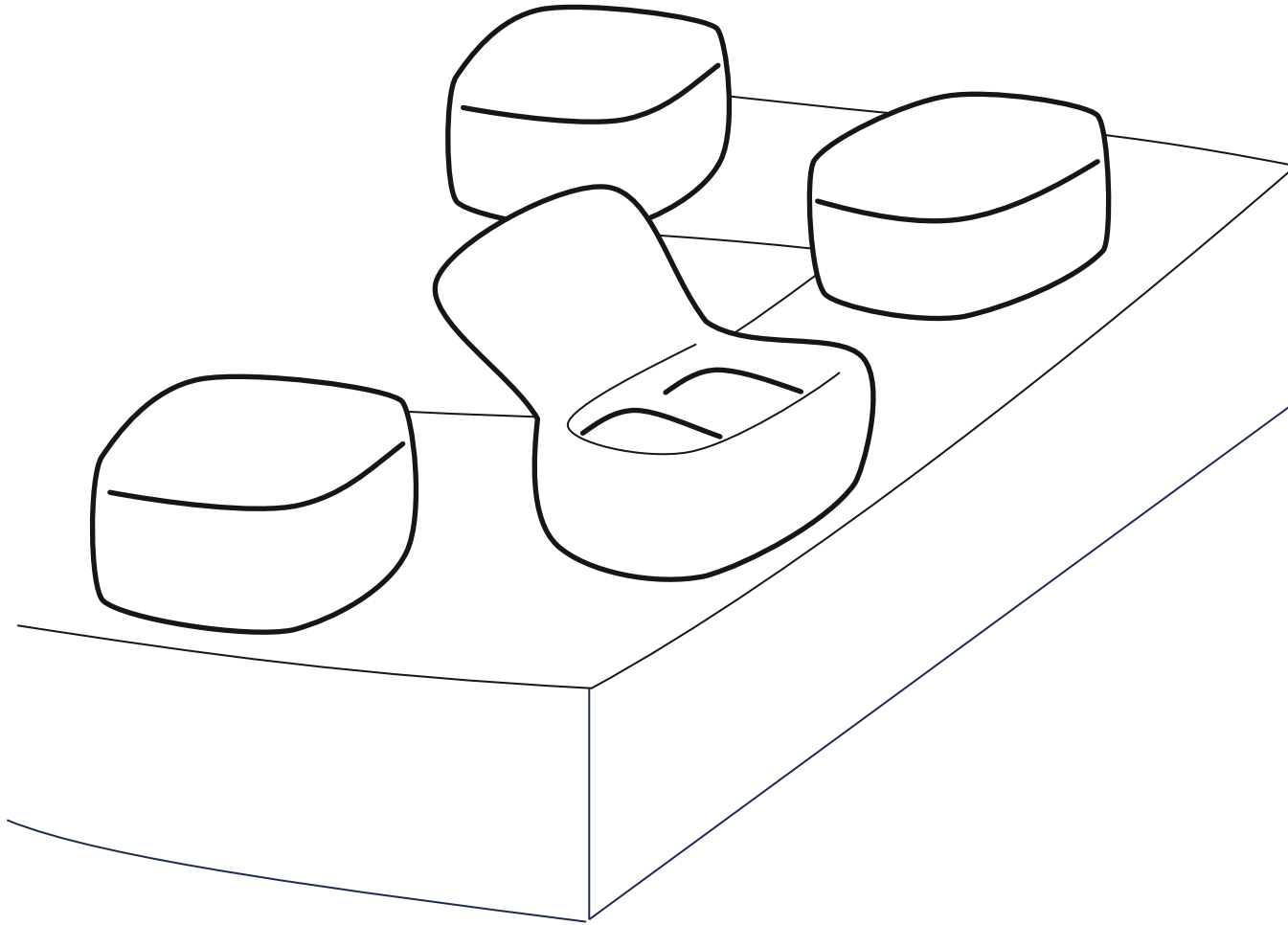
Harmony



Harmony

Assistive robots for healthcare

Harmony



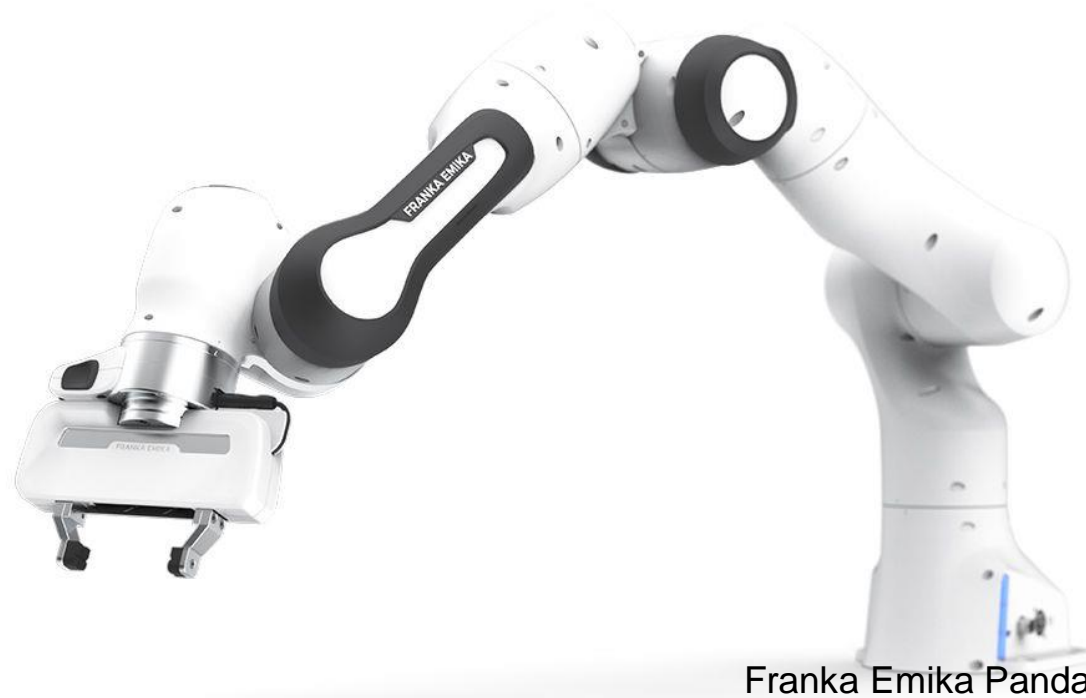
Harmony

Assistive robots for healthcare



Harmony

- That task is easy, right?

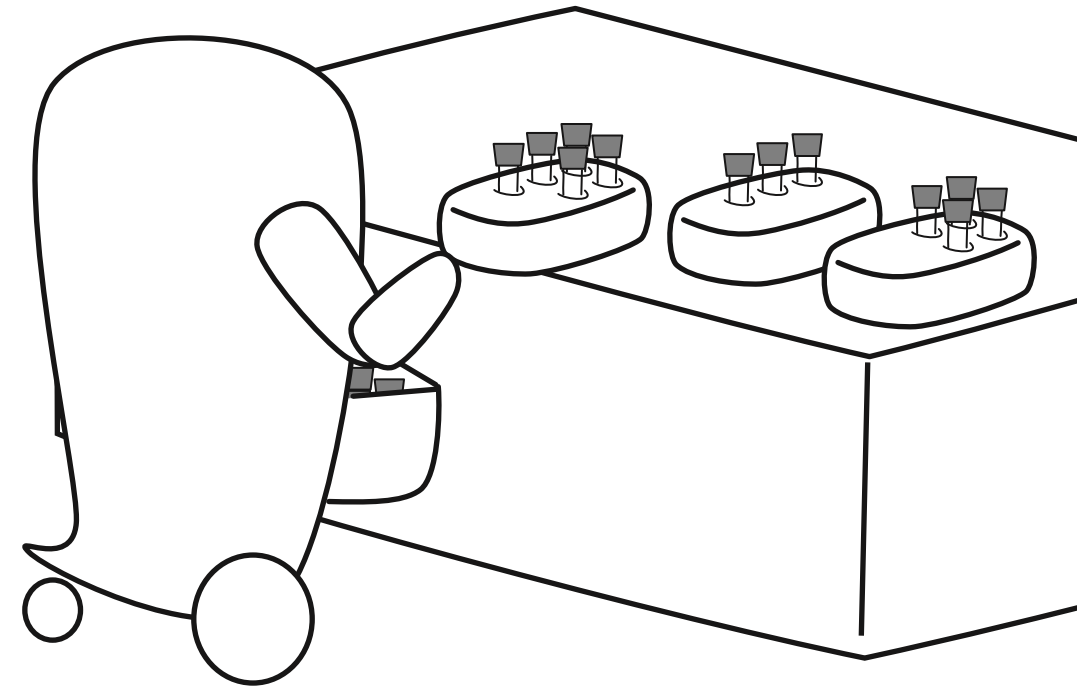
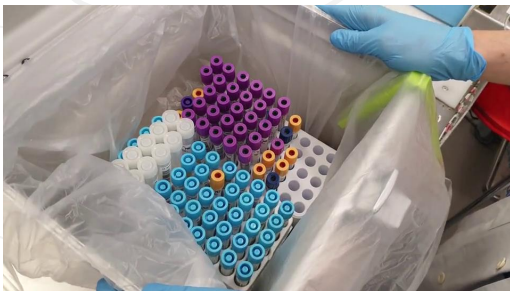


Harmony

Assistive robots for healthcare

Harmony

- Perception
- Localization
- Navigation
- Manipulation
- Hardware



Harmony

Assistive robots for healthcare

Future?

- Robots perform monotonous tasks
- Enable humans to concentrate on their actual job
- Robot reality and robot fiction far apart



Harmony

Assistive robots for healthcare